



96 x 96mm



48 x 96mm

FEATURES

- True RMS Measurement
- CT Primary Programmable upto 5000A AC

Display Specifications

Display	: Single Row, 7 segment LED Display
Digits	: 4 digits
Digit Height	: 0.56" (14.2mm)
Display Range	: 5-5000A (Selectable)

Input Specifications

Electrical Connection	: 1Phase-2Wire
Input Type	: AC
Input Current Range	: 50mA - 5A
Continuous Max. Input Rating	: 6.2A
Frequency	: 50 / 60Hz
Resolution	: 0.001, 0.01, 0.1, 1A (Depending upon CT Primary Setting)
Accuracy	: 1.0% of CT Primary Setting
Input Burden	: 0.5 VA at 5A
Sampling Rate	: 3 samples / second
Dielectric withstand Voltage	: 2kV AC between auxiliary supply & measuring input.
Rated Impulse withstand Voltage	: 3.5kV (1.2/50pS)

Auxiliary Supply Specifications

Auxiliary Supply	: 230V AC ($\pm 10\%$), 50 / 60Hz (Default) OR 110V AC 10% (Optional)
Power Consumption	: 5VA max

Settable Parameters

CT Primary	: 5, 10, 15, 20, 30, 40, 50, 60, 75, 80, 100, 150, 200, 250, 300, 400, 500, 600, 800, 1000, 1200, 1500, 1600, 2000, 2500, 3000, 4000, 5000
CT Secondary	: 5A Fixed

Environmental Specifications

Temperature	: Operating: -10° to +55°C (14° to 131°F) : Storage: -20° to 75°C (-4° to 167°F)
Humidity (Non-Condensing)	: 0% to 95%

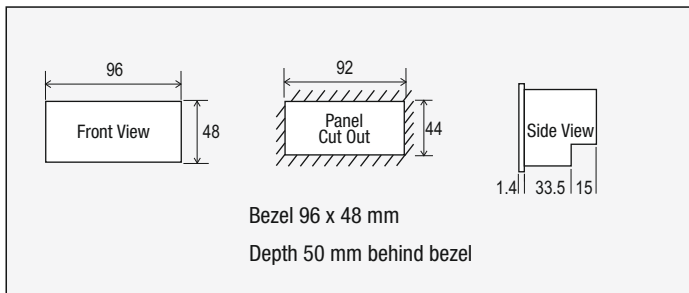
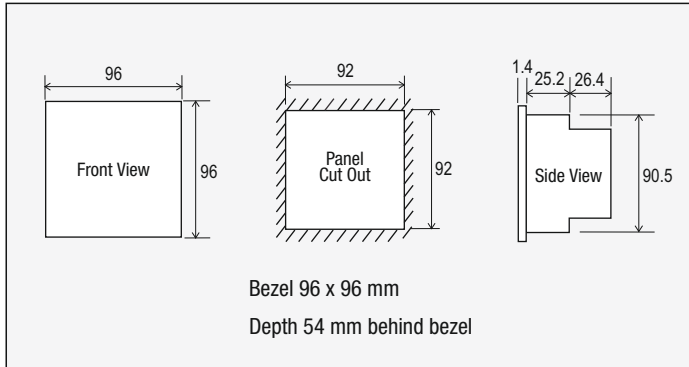
Mechanical Specifications (96X96)

Mounting	: Panel Mount
Size	: 96X96mm
Weight	: 300gms
Screw Tightening Torque	: 0.5 NM

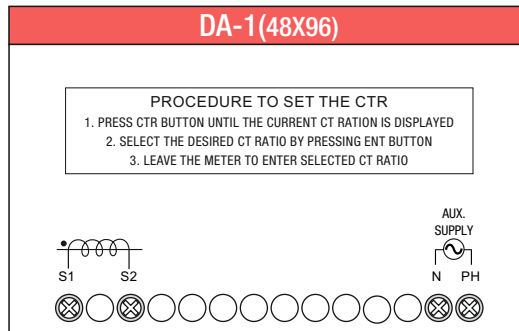
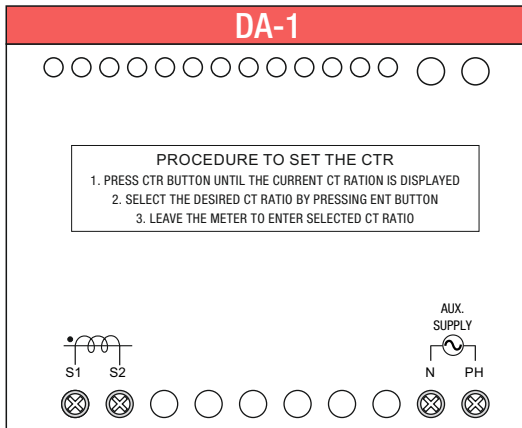
Mechanical Specifications (48X96)

Mounting	: Panel Mount
Size	: 48X96mm
Weight	: 250gms
Screw Tightening Torque	: 0.5 NM

Mechanical Specifications



Connection Diagram



Ordering Information

PRODUCT NAME	DESCRIPTIONS
DA-1 (96)	DIGITAL AMMETER 1PHASE 96X96
DA-1 (48)	DIGITAL AMMETER 1PHASE 48X96



96 x 96mm

FEATURES

- 3 Phase (True RMS) current

Display Specifications

Display	: 3 rows, 7 segments LED Display
Digits	: 4 digits

Input Specifications

Electrical Connection	: 3Phase-4Wire
Input Current Range	: Nominal 5A AC (Min-20mA, Max-6A)
Power Consumption	: <8VA max
Accuracy	: Current : $\pm 1.0\%$ of F.S.
Measuring Parameters	: Current (I1, I2, I3) (Individual / Average),

Auxiliary Supply Specifications

Supply Voltage	: 230V AC ($\pm 10\%$), 50 / 60Hz
----------------	-------------------------------------

Settable Parameters

CT Primary	: 5, 10, 15, 20, 30, 40, 50, 60, 75, 80, 100, 150, 200, 250, 300, 400, 500, 600, 800, 1000, 1200, 1500, 1600, 2000, 2500, 3000, 4000, 5000
CT Secondary	: 5A Fixed

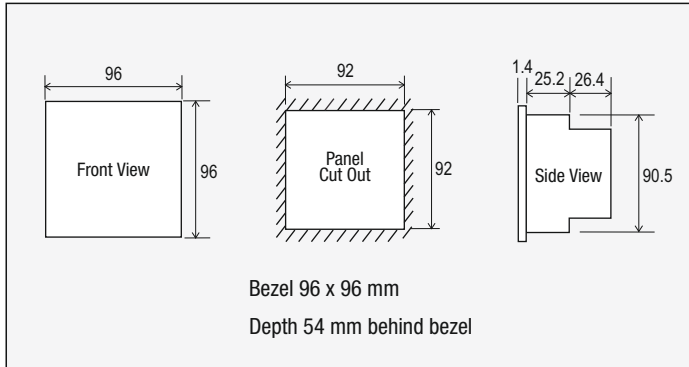
Environmental Specifications

Temperature	: Operating : -10° to 55° C Storage : -20° to 75° C
Humidity (Non-Condensing)	: Upto 85% RH

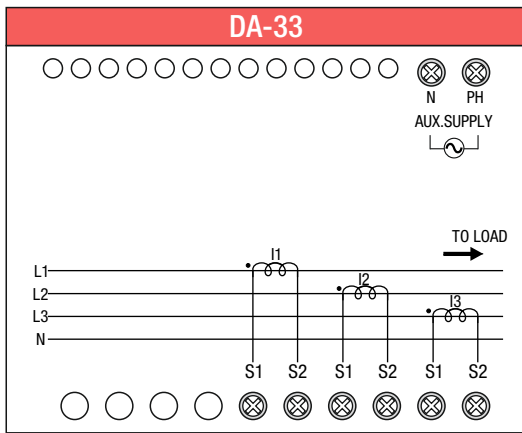
Mechanical Specifications

Mounting	: Panel Mount
Size	: 96X96mm
Weight	: 300gms
Screw Tightening Torque	: 0.5 NM

Mechanical Specifications



Connection Diagram



Ordering Information

PRODUCT NAME	DESCRIPTIONS
DA-33 (THREE ROW)	DIGITAL AMMETER 3PHASE THREE ROW



96 x 96mm

FEATURES

- True RMS Measurement
- For 1 Phase 2 Wire Electrical Network



48 x 96mm

Display Specifications

Display	: Single Row, 7 segment LED Display
Digits	: 4 digits
Digit Height	: 0.56" (14.2mm)
Display Range	: 0-516V

Input Specifications

Electrical Connection	: 1Phase-2Wire
Input Type	: AC
Input Voltage Range	: 50V -480V AC
Continuous Max. Input Rating	: 550V AC
Frequency	: 50 / 60Hz
Resolution	: 0.1V
Accuracy	: $\pm 1.0\%$ OF F.S
Input Impedance	: 1MegaOhms ($\pm 5\%$)
Sampling Rate	: 3 samples / second
Dielectric withstand Voltage	: 2kV AC between auxiliary supply & measuring input.
Rated Impulse withstand Voltage	: 3.5kV (1.2/50pS)

Auxiliary Supply Specifications

Auxiliary Supply	: 230V AC $\pm 10\%$, (50 / 60Hz) OR 110V AC $\pm 10\%$, (60Hz)
Power Consumption	: 5VA max

Environmental Specifications

Temperature	: Operating: -10° to $+55^{\circ}$ C (14° to 131° F) : Storage: -20° to 75° C (-4° to 167° F)
Humidity (Non-Condensing)	: Upto 95% RH

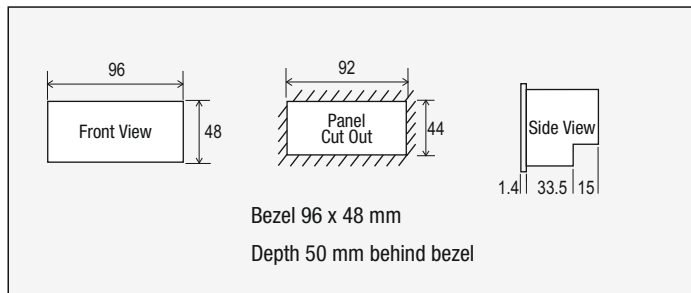
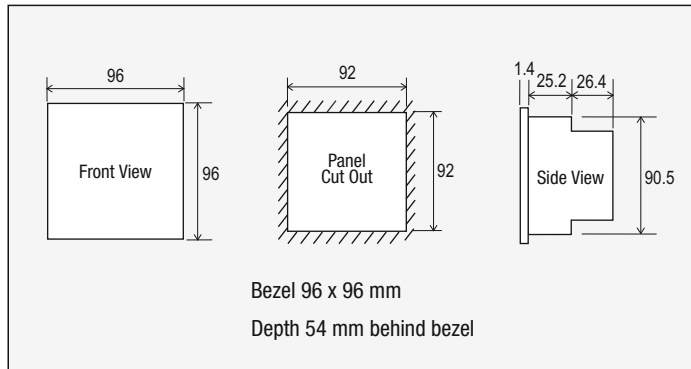
Mechanical Specifications (96X96)

Mounting	: Panel Mount
Size	: 96X96mm
Weight	: 300gms
Screw Tightening Torque	: 0.5 NM

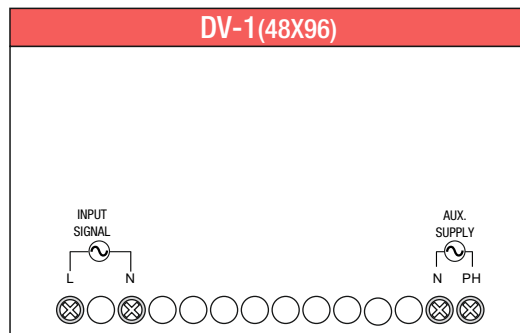
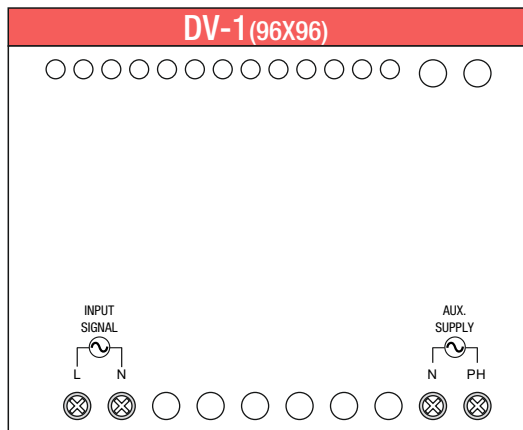
Mechanical Specifications (48X96)

Mounting	: Panel Mount
Size	: 48X96mm
Weight	: 250gms
Screw Tightening Torque	: 0.5 NM

Mechanical Specifications



Connection Diagram



Ordering Information

Product Name	Discription
DV-1 (96)	DIGITAL VOLTMETER 1PHASE 96X96
DV-1 (48)	DIGITAL VOLTMETER 1PHASE 48X96



96 x 96mm

FEATURES

- 3 Phase(True RMS) voltage
- Auto Scrolling

Display Specifications

Display	: 3 rows, 7 segments LED Display
Digits	: 4 digits

Input Specifications

Electrical Connection	: 3Phase-4Wire
Input Voltage Range	: 11 to 300V AC (Phase to Neutral) 19 to 519V AC (Phase to Phase)
Frequency	: 45 to 65Hz
Display Scrolling	: Automatic / Manual / Default
Power Consumption	: <8VA max
Accuracy	: Voltage (L-N / L-L) : $\pm 1.0\%$ of F.S. (For Measuring Voltage >11V For L-L Voltage >35V)
Measuring Parameters	: Voltage (L-L / L-N) (Individual / Average),

Auxiliary Supply Specifications

Supply Voltage	: 230V $\pm 10\%$ AC, 50 / 60Hz
----------------	---------------------------------

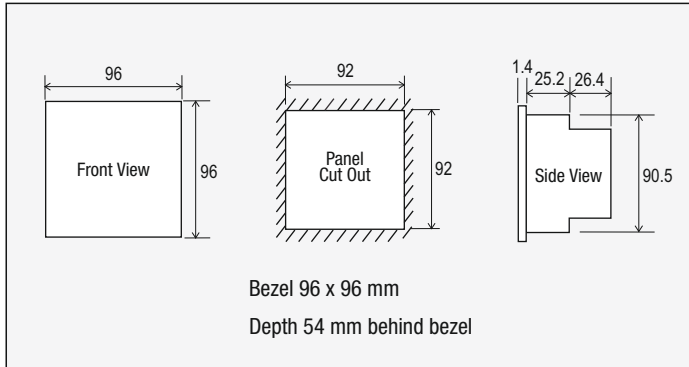
Environmental Specifications

Temperature	: Operating : -10° to 55° C Storage : -20° to 75° C
Humidity (Non-Condensing)	: Upto 85% RH

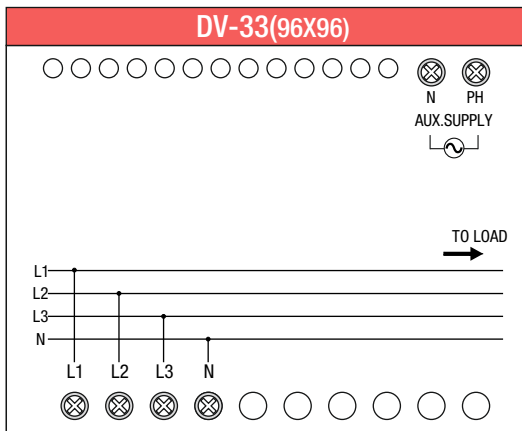
Mechanical Specifications

Mounting	: Panel Mount
Size	: 96X96mm
Weight	: 300gms
Screw Tightening Torque	: 0.5 NM

Mechanical Specifications



Connection Diagram



Ordering Information

Product Name	Discription
DV-33 (3ROW)	DIGITAL VOLTMETER 3PHASE 3ROW